



**CRAFTING IDEA**

GB

Cream-soap with chocolate glaze on the inside of a gift box

TIME REQUIRED  
**15 MINUTES**  
(WITHOUT CASTING  
& DRYING TIME)



LEVEL OF DIFFICULTY

## Used items:

### Soap

<b>34 231 000</b>	Soap casting mould: round	50 mm
<b>34 228 000</b>	Creative-soap	27 g
<b>34 246 532</b>	Soap-colour, nougat	

### Chocolate glaze and cookie cutter

<b>34 228 000</b>	Creative-soap
<b>34 246 532</b>	Soap-colour, nougat
<b>61 098 00</b>	Wooden skewer, 3 mm ø

### Cream rosette

<b>34 223 000</b>	Kneading-soap
<b>89 799 000</b>	Pastry bag with 4 tips

### Wrapping

<b>58 883 271</b>	Scrapbooking paper Double Dot, shell-pink	1 sheet
<b>23 050 000</b>	Rigid film, crystal clear, 21 × 29.7 cm loose	5.5 × 5.5 cm
<b>33 398 00</b>	Special double-sided adh.tape, highly transp.	50 cm

### Additionally you need:

<b>57 985 000</b>	Sure Cut paper cutting machine A4
<b>57 987 000</b>	Triple Track blades 2 x, straight cut

Ruler, scissors, pencil, scales, pot, melting pot, small plastic container, stirrers, kettle, cooking oil, craft stick

## Instructions:

### Soap

- 1 Melt the creative-soap in a water-bath on the stove (max. 60° - do not boil).
- 2 After the complete melting, you can stir the desired colour and/or fragrance oil in the liquid soap. Therefore, use a wooden spatula or a teaspoon. Pour it dropwise.
- 3 Let the soap dry well out (at least 2-3 hours, ideally one day).
- 4 Demould the soap by a slight pressure.
- 5 Impale the poured-out soap onto the wooden skewer and dip it into the chocolate glaze (see instructions for chocolate glaze) and let it dry well.
- 6 Glue the cutout flower on (see instructions for cookie cutter) with some white liquid soap onto the cast piece of soap.
- 7 Then put a cream rosette (see instructions for cream rosette) on which you put further a coffee bean shaped out of coloured kneading-soap.



### Chocolate glaze

8 Melt the creative-soap in a water-bath on the stove (max. 60° - do not boil). After the complete melting, you can stir the nougat colour in the liquid soap. Therefore, use a wooden spatula or a teaspoon. Pour it dropwise.

### Cookie cutter

9 Melt the creative-soap in a water-bath on the stove (max. 60° - do not boil).

10 After the complete melting, you can stir the desired colour and/or fragrance oil in the liquid soap. Therefore, use a wooden spatula or a teaspoon. Pour it dropwise.

11 Pour the melted soap onto a flat surface such as a small lid or some aluminum foil. Once the soap hardened, after at least half an hour, you can cut the desired motifs out by means of the cookie cutters.

### Cream rosette

12 Mix the kneading-soap with hot water and the cooking oil – 50g of the kneading-soap with 20ml of hot water and about 5ml of the cooking oil.

13 Stir this mixture with a craft stick and let it rest for 10 minutes.

14 Then knead the mixture well again. Build together a pastry bag (without a bag) and fill it with some kneading-soap.

15 Push the kneading-soap with a finger through the tip and shape at once the pushed out mixture.



#### Additional info and tools

The soap dries or rather carries on ripening and becomes thereby firmer (two up to three weeks). Depending on the temperature and airiness, the soap can perspire. We recommend therefore to wrap the soap after its demoulding in a cellophane foil. Clean the soap casting mould and the pots with hot water.

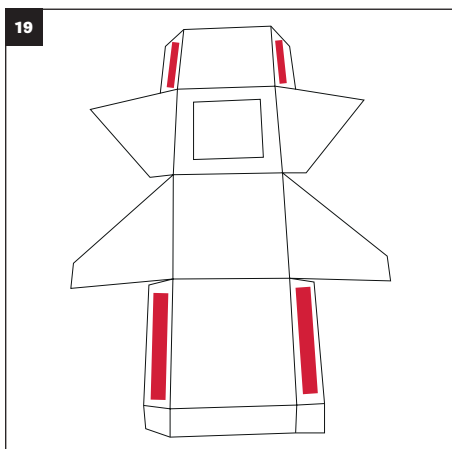
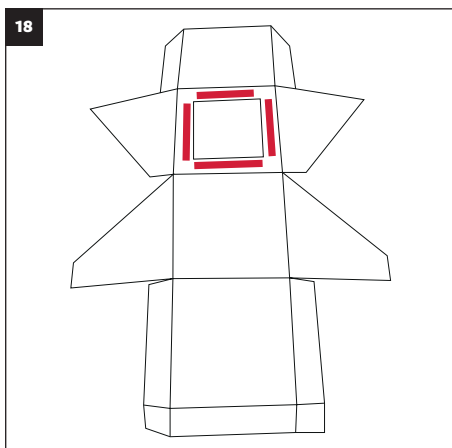
#### Wrapping (see stencil next page)

**16** Cut the paper cutting by means of the stencil and fold all dotted lines for e.g. with the Sure Cut paper cutting machine and folding blades.

**17** Then cut the solid lines out.

**18** Glue the cutting of the crystal clear rigid film in the box with the double-sided adhesive tape.

**19** At the end, stick together the box by means of the double-sided adhesive tape.



# Rayher.

[WWW.RAYHER.COM](http://WWW.RAYHER.COM)

© 2017, Rayher Hobby GmbH

You will find material specifications and instructions on our homepage.

